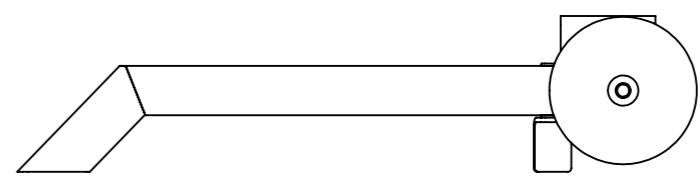
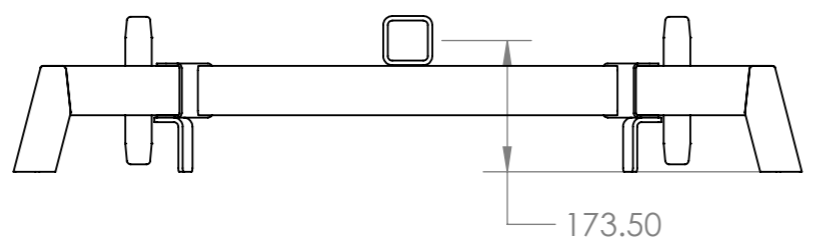
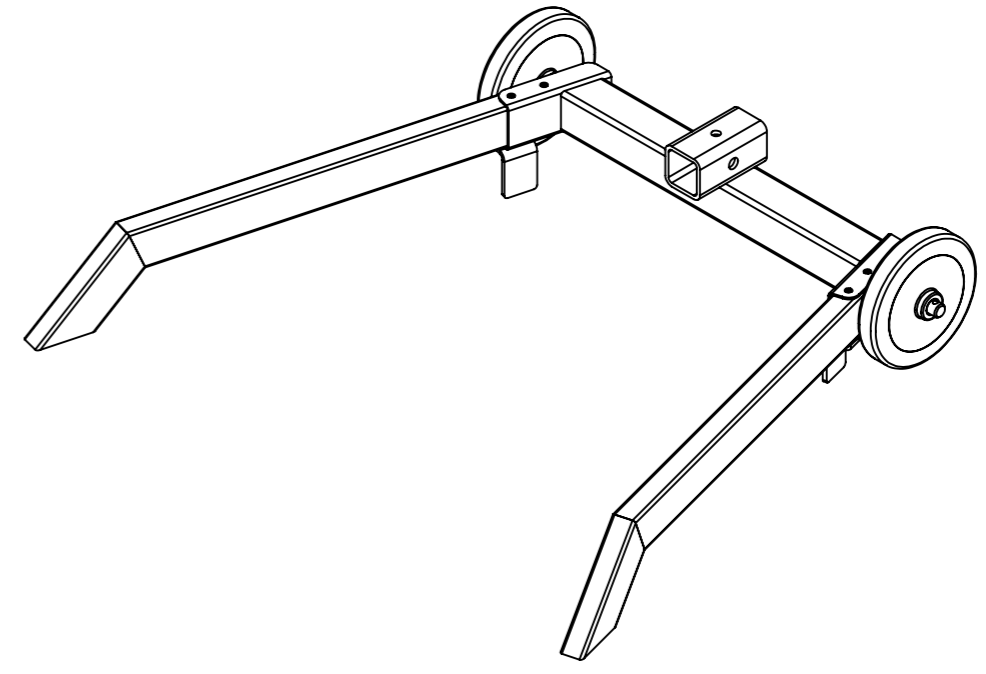
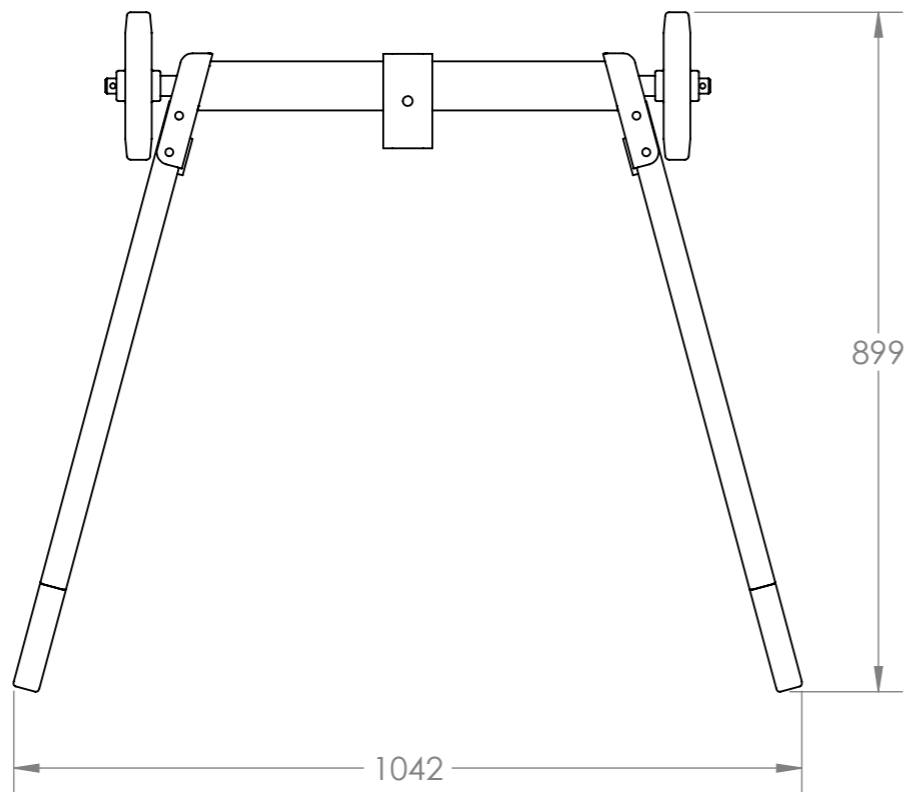


8 7 6 5 4 3 2 1

F
E
D
C
B
A

F
E
D
C
B
A



© COPYRIGHT IS OWNED BY CURRIE ENGINEERING, CREATED 1/7/15.
 THIS DOCUMENT IS CONFIDENTIAL. REPRODUCTION, DISCLOSURE OR USE OF
 THIS DOCUMENT IS STRICTLY PROHIBITED WITHOUT WRITTEN PERMISSION OF
 CURRIE ENGINEERING, ABN 98 129 128 035, WALLACE, VICTORIA AUSTRALIA 3352



UNLESS OTHERWISE SPECIFIED:
 DIMENSIONS ARE IN MILLIMETERS
 SURFACE FINISH:
 TOLERANCES:
 LINEAR:
 ANGULAR:

DWG NO.
 DISPLAY STAND COMPLETE
 SCALE:1:10
 SHEET 1 OF 1

A3

8 7 6 5 4 3 2 1