

8 7 6 5 4 3 2 1

F

F

E

E

D

D

C

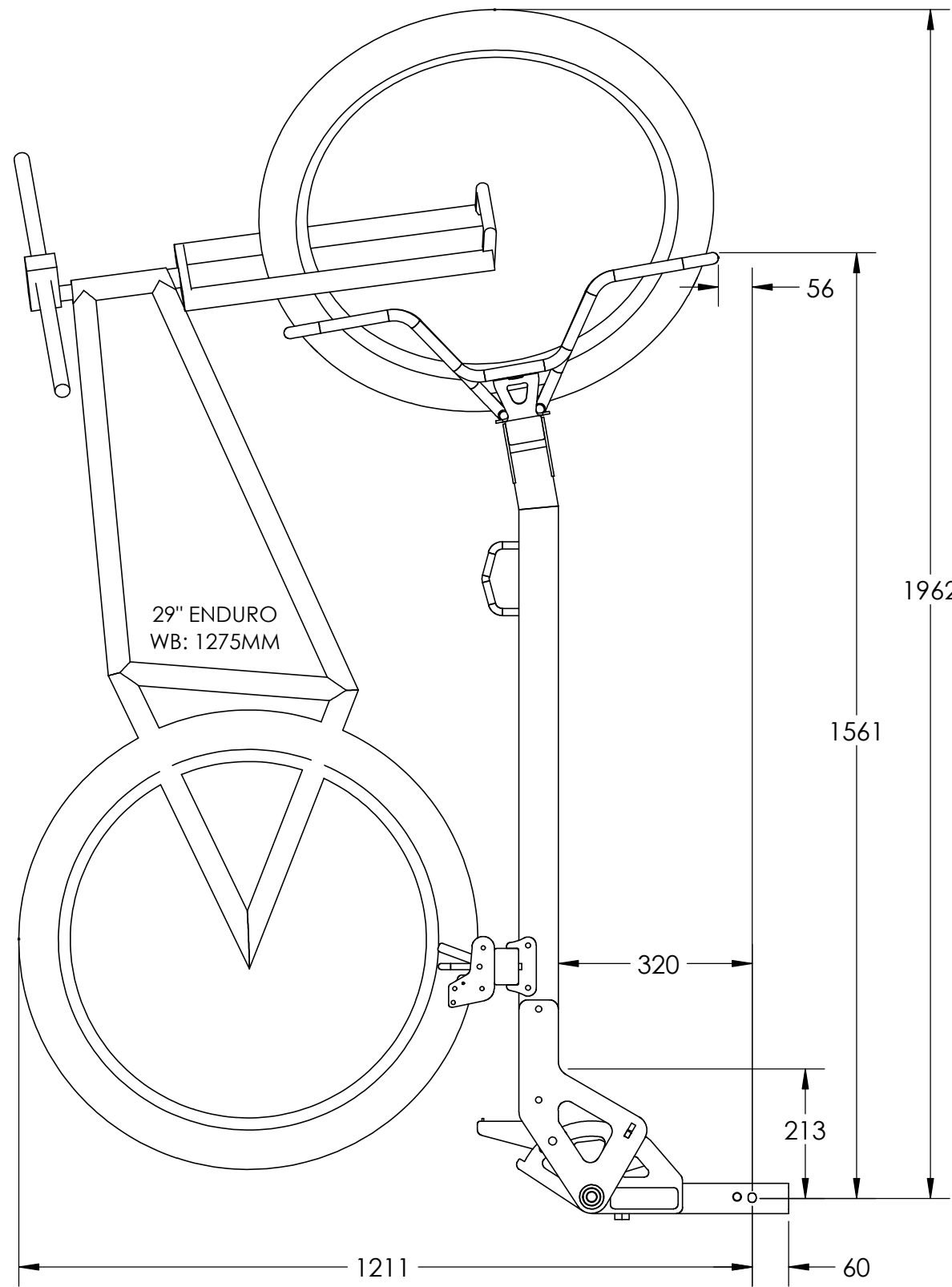
C

B

B

A

A



29" ENDURO  
WB: 1275MM

SINGLE TRAIL RFS/EZ RFS 0 DEG

© COPYRIGHT IS OWNED BY CURRIE ENGINEERING, CREATED 1/7/15.  
THIS DOCUMENT IS CONFIDENTIAL. REPRODUCTION, DISCLOSURE OR USE OF  
THIS DOCUMENT IS STRICTLY PROHIBITED WITHOUT WRITTEN PERMISSION OF  
CURRIE ENGINEERING, ABN 98 129 128 035, WALLACE, VICTORIA AUSTRALIA 3352



UNLESS OTHERWISE SPECIFIED:  
DIMENSIONS ARE IN MILLIMETERS  
SURFACE FINISH:  
TOLERANCES:  
LINEAR:  
ANGULAR:

DWG NO. 4X RACK COMPLETE V3  
SCALE:1:10

A3  
SHEET 1 OF 1

8 7 6 5 4 3 2 1